



MAGNETIC SEPARATOR

-RCYD-



PERMANENT MAGNETIC SEPARATOR :

RCYD(C) series self-cleaning permanent magnetic separator made by high-performance NdFeB rare earth, the machine consists of permanent magnet core, unloading iron belt, reducer motor, frame, driven rollers and other parts, used for variety of conveyor. Adsorb ferromagnetic material from a non-magnetic materials. It have an automatic unloading iron device, The ferromagnetic material is automatically thrown by unloading iron belt device, so as to achieve the purpose of the automatic unloading iron. The machine have a wide range of applications, energy saving, easy maintenance, the failure rate is very low, stable and reliable operation in extremely harsh environment.

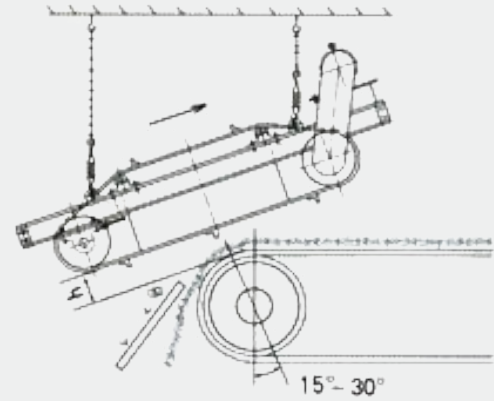
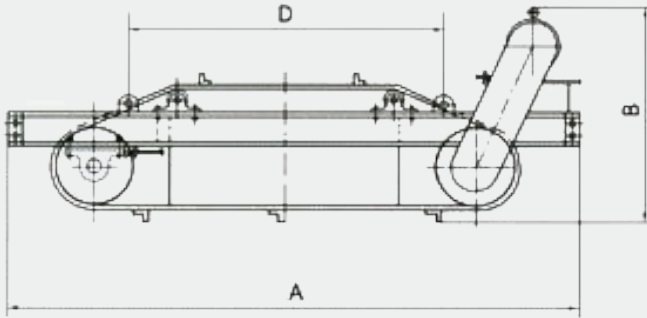
PRODUCT FEATURES:

- Magnetic circuit design using computer simulation, perfect double pole structure.
- NdFeB material is magnetic source, high coercivity, high magnetic field strength.
- Automatic clean iron, easy maintenance, wide application.
- Transmission drum with drum-type structure, the belt automatic correction function, dustproof housings, mechanical failure is low.

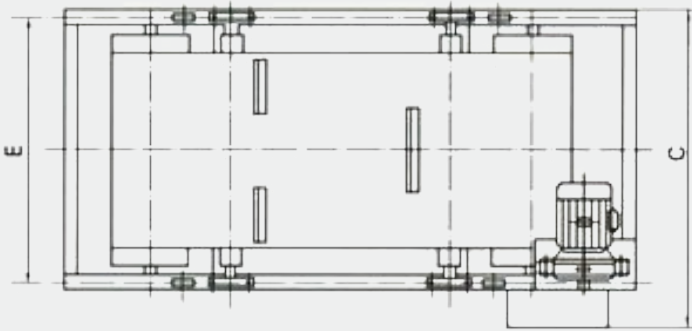




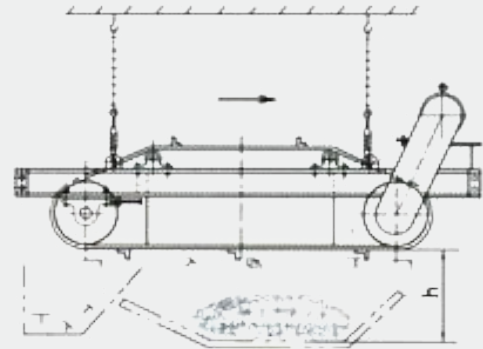
Dimensional Sketches and Installation Sketches :



Installation Diagram (Slant)



Overall Dimension



Installation Diagram (Horizontal)

Technical Parameter Table :

MODEL	ADAPTIVE BELT WIDTH mm	SUSPENSION HEIGH h=mm	MATERIAL THICKNESS ≤mm	MAGNET INTENSITY ≥mT	EXCITION POWER ≤kw	ADAPTIVE BELT SPEED ≤m/s	WORK FORM	HEIGHT kg	OVERAL DIMENSION mm				
									A	B	C	D	E
RCYD(C)-5	500	150	100	65	1.5	4.5	CONTINUOUS	750	1900	935	735	753	950
RCYD(C)-6	600/650	180	130	65	1.5			920	2050	1030	780	753	1100
RCYD(C)-6.5	650	200	150	70	1.5			1200	2165	1080	780	888	1200
RCYD(C)-8	800	250	200	70	2.2			1400	2350	1280	786	1088	1300
RCYD(C)-10	1000	300	250	70	3.0			2120	2660	1550	920	1335	1400
RCYD(C)-12	1200	350	300	70	4.0			3350	2860	1720	1010	1515	1550
RCYD(C)-14	1400	400	350	70	4.0			4450	3225	1980	1050	1755	1800
RCYD(C)-16	1600	450	400	70	5.5			6200	3350	2160	1180	1850	1950
RCYD(C)-18	1800	500	450	75	5.5			8100	3580	2450	2130	2130	2200
RCYD(C)-20	2000	550	500	75	7.5			9700	3800	2700	2400	2400	2410