



# MAGNETIC SEPARATOR

RCDB



## DRY ELECTROMEGNETIC SEPARATOR SERIES

RCDB series dry electromagnetic separator (also known as PDC Series, RCDY series) pick up the miscellaneous iron from the non-magnetic materials of powder or lump. Its internal is filled by electrical casting resin, self-cooling hermetically sealed structure. Have heavy depth of penetration of magnetic field, strong suction, dust-proof, water-resistant, corrosion-resistant features, and reliable operation even in extremely harsh environments. The main performance indicators are above the JB/T7689-2012 standard, the products can remove the 0.1-50 kg ferromagnetic substances

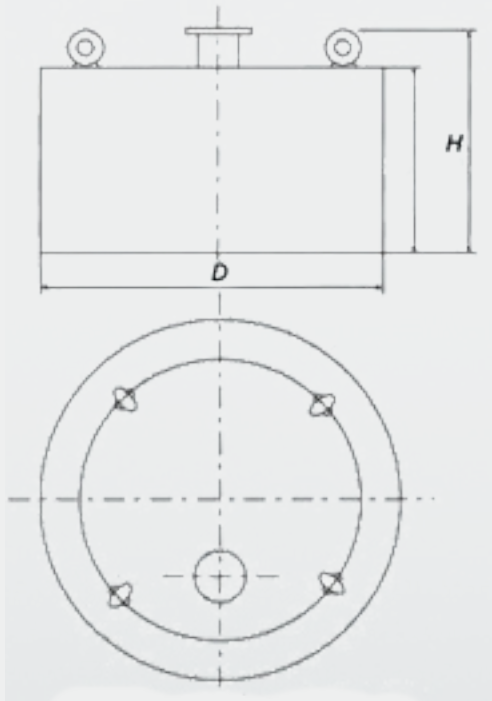
### Product Features :

- Computer simulation design, large magnetic penetration depth, strong suction.
- Low power consumption, low temperature rise, low failure rate.
- Good sealing performance, with prevention dust and sun, and corrosion resistance.

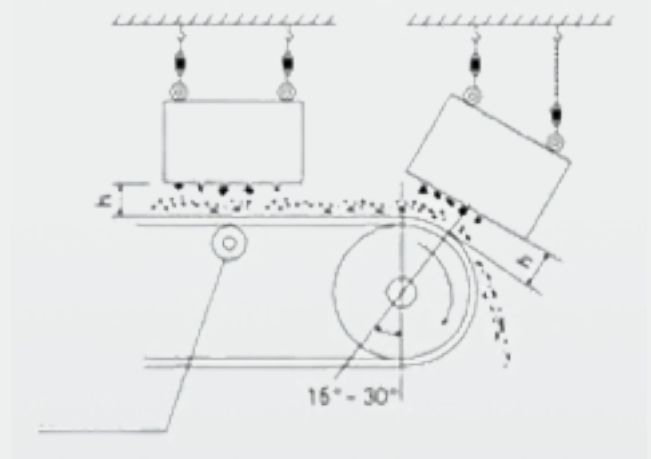




## Dimensional Sketches and Installation Sketches :



Overall Dimension



Non-magnetic Roller

Installation Diagram

## Technical Parameter Table :

MODEL	ADAPTIVE BELT WIDTH mm	SUSPENSION HEIGH h=mm	MATERIAL THICKNESS ≤mm	MAGNET INTENSITY ≥mT	EXCITION POWER ≤kw	ADAPTIVE BELT SPEED ≤m/s	WORK FORM	HEIGHT kg	OVERAL DIMENSION mm		
									A	B	C
RCDB-4	400	120	70	50	0.6	4.5	CONTIN UOUS	300	500	240	280
RCDB-5	500	150	100	60	1.0			430	610	280	325
RCDB-6	600/650	180	130	63	1.6			580	710	280	325
RCDB-6.5	650	200	150	70	2.0			680	820	280	325
RCDB-8	800	250	200	70	3.6			950	960	310	355
RCDB-10	1000	300	250	70	5.0			1560	1200	310	360
RCDB-12	1200	350	300	70	6.8			2250	1400	310	365
RCDB-14	1400	400	350	70	9.0			2950	1650	405	485
RCDB-16	1600	450	400	70	13			4800	1900	460	540
RCDB-18	1800	500	450	70	18			6900	2200	530	610
RCDB-20	2000	500	500	70	20			7600	2400	550	650